

shown in Matte Black
with 90" Matte White blades



Nan XL

Designed by Chicago architect Stephen Katz, the Nan XL ceiling fan is a revolutionary take on ceiling fans, incorporating traditional design with superior performance and functionality to meet the aesthetic needs and challenges of any space. The Nan XL fan feels at home in any setting from casual to commercial and everything in between. This timeless ceiling fan works in residential environments, restaurants, hospitality or even office settings. The Nan XL fan has the perfect amount of design presence for any size room or season. The fully adjustable fan motor speeds makes moving the right amount of air simple and easy. The Nan XL fan will feel like a natural part of the room and enhance any space with a fresh breeze. Also available is the standard Nan fan with smaller diameter options: 42", 52" and 60".

Product Features



DC
Motor



Damp
Location



Silent



Remote
Control



Wall
Control

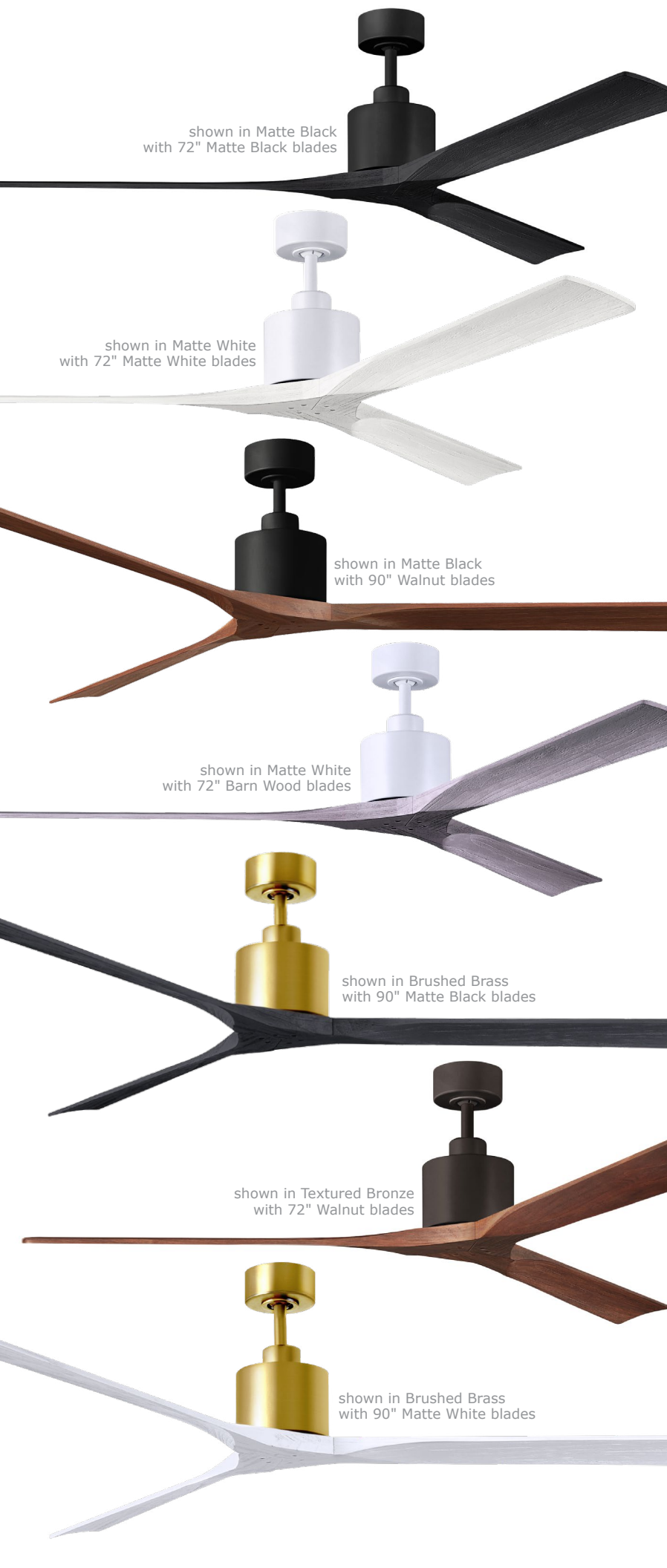


30° Slant
Ceiling Canopy



Optional 60°
Cathedral Ceiling Canopy





shown in Matte Black with 72" Matte Black blades

shown in Matte White with 72" Matte White blades

shown in Matte Black with 90" Walnut blades

shown in Matte White with 72" Barn Wood blades

shown in Brushed Brass with 90" Matte Black blades

shown in Textured Bronze with 72" Walnut blades

shown in Brushed Brass with 90" Matte White blades

NAN XL

FINISH AND BLADE OPTIONS

SKU#	NKXL-XXX-XXX-XX (Model+Finish+Blade+Diameter)	
Standard Finishes	Brushed Brass	BRBR
	Black	BK
	Matte White	MWH
	Textured Bronze	TB
Blade Finish	Barn Wood	BW
	Gray Ash	GA
	Light Maple	LM
	Matte Black	BK
	Matte White	MWH
	Walnut	WA
Fan Diameter	72 inches / 183 cm	72
	90 inches / 229 cm	90

TECHNICAL SPECS

Fan Diameter	inches: 72 or 90 centimeters: 183 or 229	
Blade Material	CNC Cut Solid Wood	
Overall Drop	12 inches / 30 cm + downrod length	
Fan Weight	19 lbs	
Downrods Lengths <i>Field cuttable. Non-threaded</i>	inches: 5, 10, 20, 30, 48, 72 centimeters: 13, 25, 51, 76, 122, 183	
Downrod Diameter	1 inch	
Voltage	110 (Contact us for 220 conversion)	
Motor Type	DC	
Environment	Damp locations for all finishes Neither coastal, saltwater nor chlorine compatible	
Ambience	Silent	
Safety Certification	ETL / CETL	
Warranty	Limited Lifetime	

NEW JAN 21, 2020 DOE MOTOR EFFICIENCY DATA

Fan Diameter	72 inch / 183 cm	90 inch / 229 cm
RPM (Low/High)	51 / 106	28 / 143
CFM (Low/High)	4213 / 9232	4257 / 13,687
Watts (High)	32.06	31.59
CFM/Watt (High)	311	456
Blade Pitch	15°	15°

STANDARD EQUIPMENT

One downrod of 10 inches / 25 cm

Slant ceiling canopy for up to 30°

Black 6-speed RF remote control with reverse



White wireless Decora-style, 6-speed, wall control

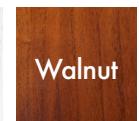
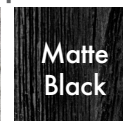
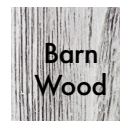


NOTE: Only compatible with included controllers.

ACCESSORY

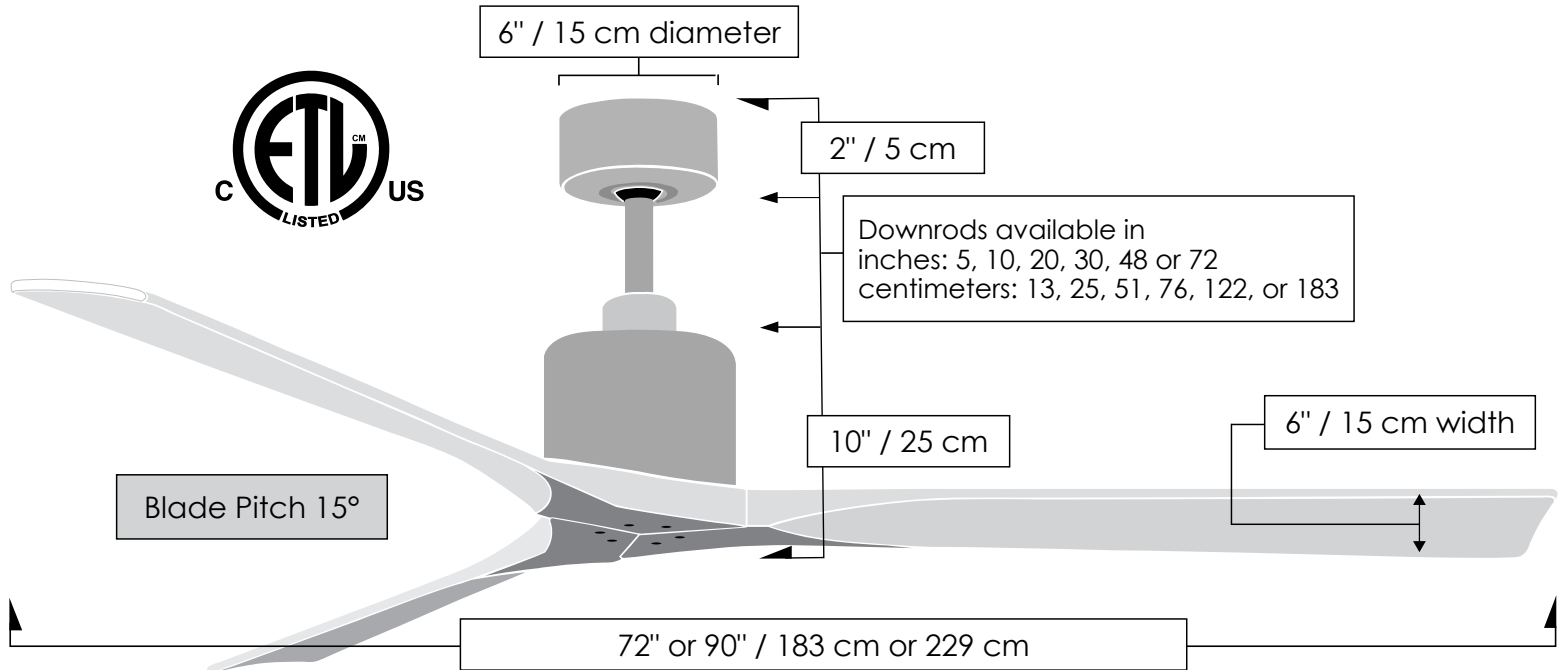
60° Cathedral Ceiling Canopy

Blade Options



Nan XL

TECHNICAL SPECIFICATIONS



CEILING PITCH TABLE	
0/12	0 degrees
1/12	4.76 degrees
2/12	9.46 degrees
3/12	14.04 degrees
4/12	18.43 degrees
5/12	22.62 degrees
6/12	26.57 degrees
7/12	30.26 degrees
8/12	33.69 degrees
9/12	36.87 degrees
10/12	39.81 degrees
11/12	42.51 degrees

CEILING HEIGHT / DOWNROD TABLE	
Ceiling Height	Downrod Lengths <i>Field cuttable. Non-threaded</i>
10 ft or less	5 inches / 13 cm <i>Use safety cages if applicable</i>
10 - 12 feet	10 inches / 25 cm
13 feet	20 inches / 51 cm
14 feet	30 inches / 76 cm
15 feet	48 inches / 122 cm
16 feet +	72 inches / 183 cm

Matthews Fan Company

1881 Industrial Drive
 Libertyville, IL 60048
 Tele: 847.680.9043
 Fax: 847.680.8140
 www.matthewsfanco.com

© 2023 Matthews Fan Company. All rights reserved.

