

shown in Textured Bronze
with Walnut blades



Lindsay

Designed in 2019

The Lindsay ceiling fan offers a simple, yet refined air flow solution to any space. The two elegant, solid wood blades quietly circulate air as they revolve around an understated central motor housing. Integrated into the design is an eco-friendly, dimmable LED light kit which will provide illumination for decades to come. The Lindsay is available in matte black, matte white and textured bronze finishes. Blade finish options are barn wood, matte black, matte white or walnut. Constructed of cast aluminum and heavy stamped steel, Lindsay carries a limited lifetime warranty.

Product Features



DC
Motor



Damp
Location



Silent



LED
Lamp



Dimmable
Lamp



Remote
Control



Wall
Control



Unipack
Shipping

shown in
Matte Black
with Matte Black blades



shown in
Matte Black
with Walnut blades



shown in
Textured Bronze
with Walnut blades



shown in Matte White
with Matte White blades



shown in Matte White
with Barn Wood blades



LINDSAY

FINISH AND BLADE OPTIONS

SKU#	LW-XXX-XXX (Model+Finish+Blade)	
Standard Finishes	Matte Black Matte White Textured Bronze	BK MWH TB
Blade Finish	Barn Wood Matte Black Matte White Walnut	BW BK MWH WN

TECHNICAL SPECS

Fan Diameter	52 inches / 132 cm
Blade Material	CNC Cut Solid Wood
Overall Drop	12 inches / 30 cm
Fan Weight	11 lbs
Voltage	110 (Please contact us for 220V)
Motor Type	DC
Environment	Damp locations for all finishes Neither coastal, saltwater nor chlorine compatible
Ambience	Silent
Safety Certification	ETL / CETL
Warranty	Limited Lifetime

NEW JAN 21, 2020 DOE MOTOR EFFICIENCY DATA

RPM (Low / High)	51 / 220
CFM (Low / High)	1097 / 4955
Watts (High)	29.61
CFM/Watt (High)	166
Blade Pitch	45°

LIGHT KIT PHOTOMETRICS

Lamping (Replaceable)	Integrated LED
Remote Dimmable	Yes
Delivered Temperature in K	2940
Delivered Lumens	557
CRI	93.7
Watts	17
Hours	37,000

Light kit longevity if used 6 Hours/Day: 16.9 Years

STANDARD EQUIPMENT

Black 6-speed RF remote control with reverse

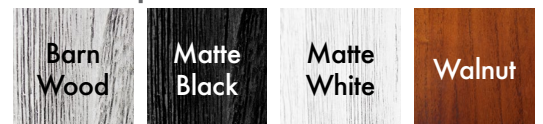


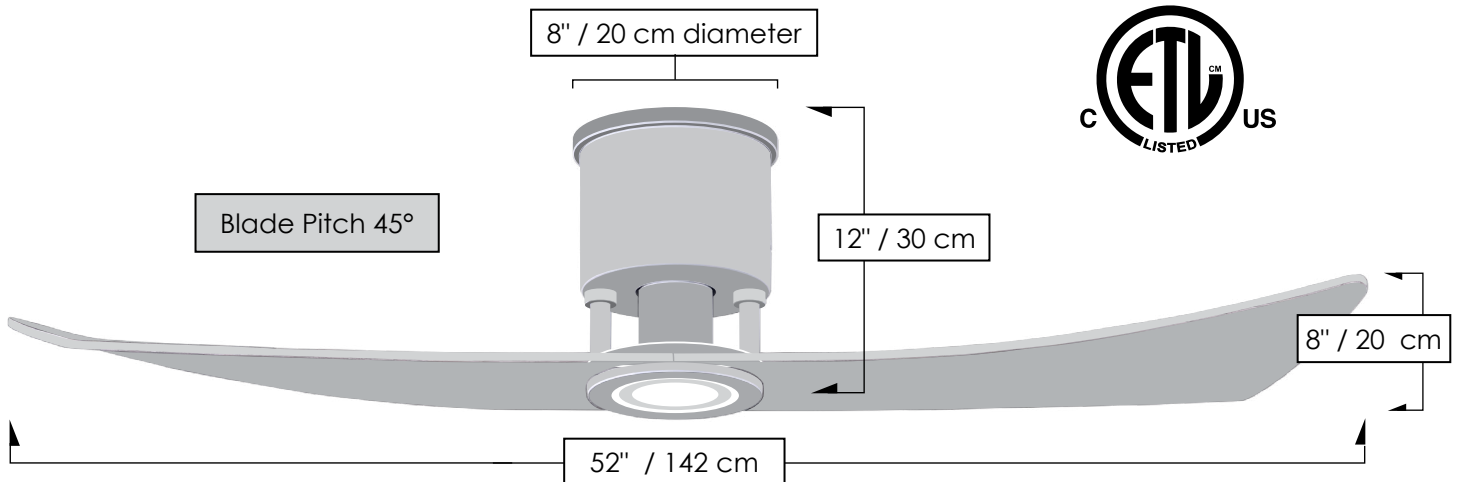
White wireless Decora-style, 6-speed, wall control



NOTE: Only compatible with included controllers.

Blade Options





CEILING PITCH TABLE

0/12	0 degrees
1/12	4.76 degrees
2/12	9.46 degrees
3/12	14.04 degrees
4/12	18.43 degrees
5/12	22.62 degrees
6/12	26.57 degrees
7/12	30.26 degrees
8/12	33.69 degrees
9/12	36.87 degrees
10/12	39.81 degrees
11/12	42.51 degrees

CEILING HEIGHT TABLE

Suitable for ceiling heights 7' 10" or greater

Matthews Fan Company

1881 Industrial Drive
 Libertyville, IL 60048
 Tele: 847.680.9043
 Fax: 847.680.8140
 www.matthewsfanco.com

© 20231 Matthews Fan Company. All rights reserved.

